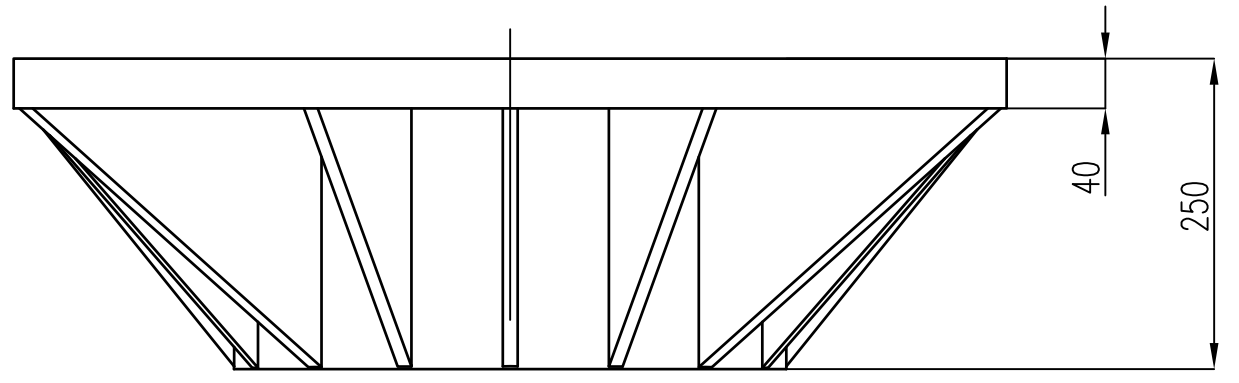
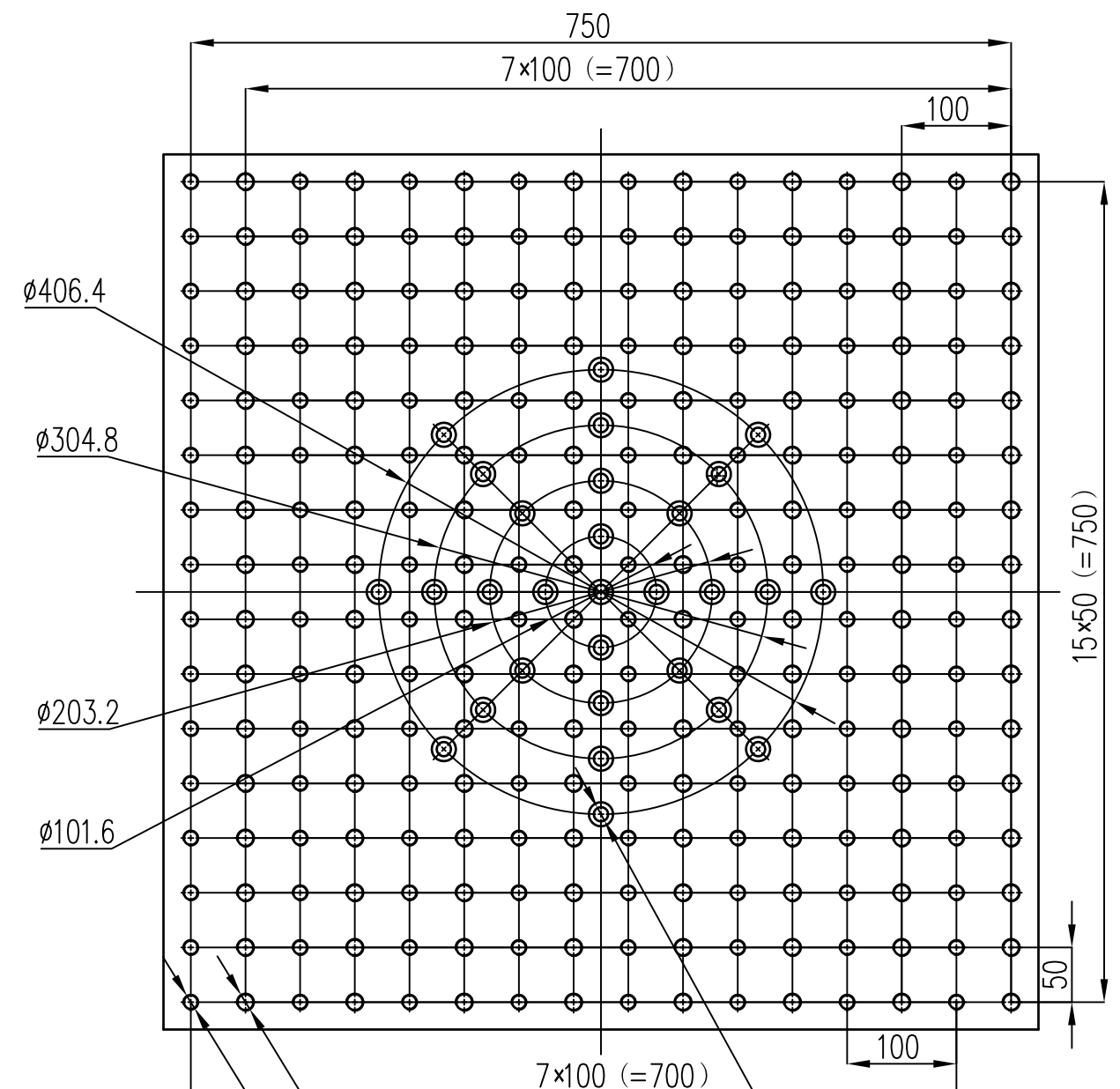
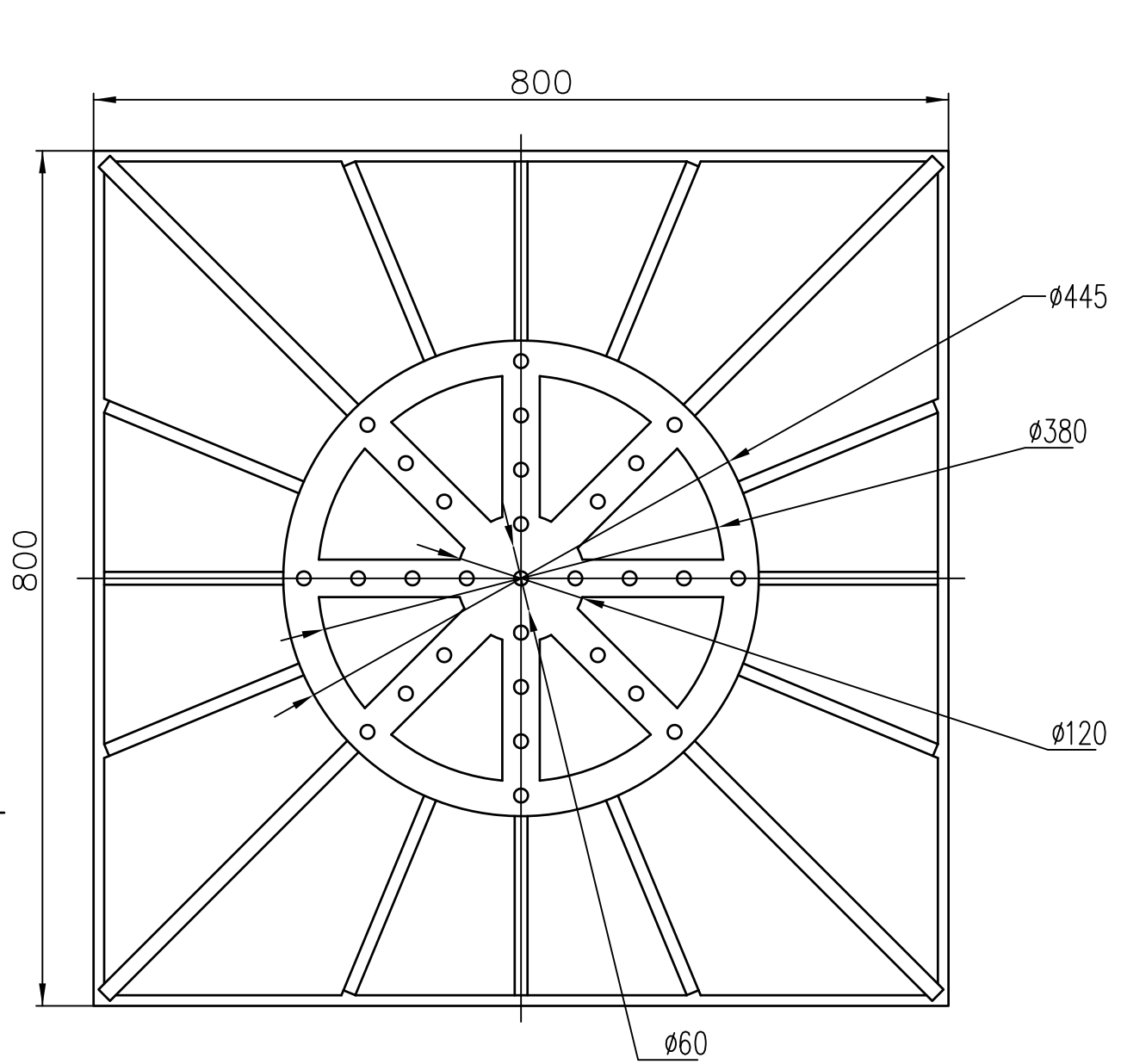


PO Number



126 x M16X1.5 ∇ 20
Keenserts M16×1.5×M10×L16

29 x ∅13
∅ 22 ∇ 210

126 x M14X1.5 ∇ 20
Keenserts M14×1.5×M8×L14

Material	Mg
Height	250mm
Weight	85kg

NOTES:
 1) THIS DRAWING IS THE PROPERTY OF **KRIWAN TZ** AND MUST NOT BE LENT OR COPIED WITHOUT OUR EXPRESS PERMISSION IN WRITING.
 2) WITH CONSTANT PRODUCT IMPROVEMENT, PRODUCT SPECIFICATIONS MAY BE CHANGED WITHOUT NOTICE.

Designed by	Checked by	Approved by	Date	Scale
YDY				1:6
Title:				
Drawing Number:			Edition	Sheet
			A	1/1

